



reSource

Your source for all things plumbing, heating piping and HVAC



Scan. Redeem. Reward.

Purchase **Viega** products– GET REWARDED. It's that simple. The more you purchase, the more points you earn. **Redeem your points for press tools, Viega swag, training sessions and more!**



How it works

Viega Rewards is a tiered program. The more you buy, the more you earn! Tiered program thresholds are based on annual Viega purchase amounts and participants must qualify each year to retain status.

- **Bronze: up to \$10K USD**
- **Silver: \$10K to \$20K USD**
- **Gold: \$20K USD and above**



Watch for specials on point accumulations or redemptions throughout the year. Make sure you're fully enrolled to receive all communications from Viega Rewards.

With no expiration date, save up your Viega Rewards points to get exactly what you want – enroll now to view our redemption catalog.

Valid invoices must be uploaded and claimed within 90 days of purchase. Additionally, at the time of enrollment, new Viega Rewards members may also submit invoices for the 90 days prior to their enrollment date.



Enroll now to view our redemption catalog
www.viegarewards.us



reSource

Your source for all things plumbing, heating piping and HVAC

SWING INTO SPRING with **KD NAVIEN**[®]

For every NAVIEN equipment purchase between May 1st – May 31st you will earn one entry into the raffle for the following prizes:

1st Prize
Pit Boss
Copperhead
Pellet Smoker



2nd Prize
Taylormade
Wedge Set

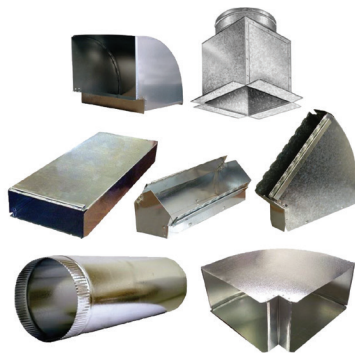


3rd Prize
YETI Hopper
M30 Cooler



SHEET METAL PRODUCTS ARE AVAILABLE & IN STOCK

- Warm Air Pipe
- Diffuser Boxes
- 45 & 90 Degree Angles
- Stack Duct & Fittings
- Aluminum Flex and much more!



NaviCirc[™]

Recirculation valve for use with NPE-A series tankless water heaters

Designed for recirculation of domestic hot water in applications where a dedicated return line is not available.



KD NAVIEN[®]





reSource

Your source for all things plumbing, heating piping and HVAC



GeniSys™ 7586 24V Gas Burner Control

Features & Benefits

- Designed for use in Single Rod and Dual Rod applications
- 4 LEDs for improved diagnostics
- Continuous retry standard – single or multiple trials for ignition optional
- Convenient mounting using screws or fasteners
- The microprocessor is checked for proper operation before each cycle
- Designed for use with gas valve connector plug
- Available model (7586C) with manual reset button and non-volatile lockout
- Communication Port links new alarm module and future products



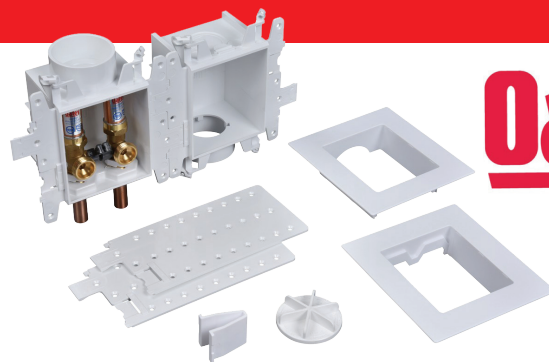
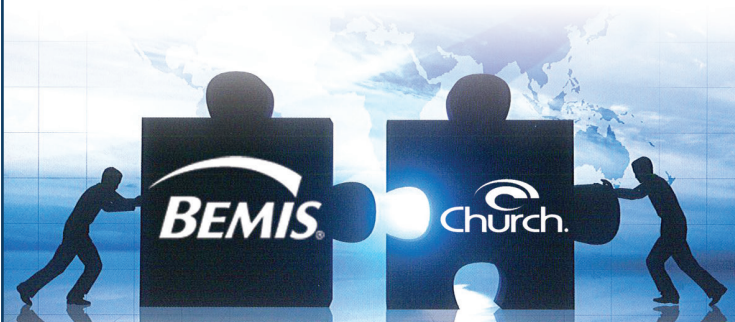
GeniSys
Advanced Burner Control

Same seat. Different name.

Church seats will now be sold under the **BEMIS** name.



- Elongated or Round
- Open or Closed front
- Easy to Clean
- Residential or Commercial



Moda Washing Machine Box

#1356213

- Universal Single Box Platform
- Stronger, Simpler Box Connections
- Layout Versatility
- Tool Free Test Plug
- AAV Box Adapter



reSource

Your source for all things plumbing, heating piping and HVAC

LET TORRCO BE YOUR ONE STOP FOR ALL YOUR HVAC NEEDS!

Check out our HVAC special catalog and contact your salesperson or our HVAC team for special pricing- HVACquotes@torrco.com or 888-561-5374



- Cleaning & Maintenance Supplies
 - Mars Capacitors
 - Condensate Pumps, Pads & Accessories
 - Mars Motors
 - Mars Contactors
 - Mars Thermostat Wire
 - K-Flex Insulated Line Sets
 - RLS Flare connectors
 - Aprilaire IAQ Products
 - Navac Tools
 - Mini Split Accessories
 - Dye Packs & Leak Seal
 - Electrical & Installation Accessories
 - Duct Installation Products
 - Thermostats
- AND MUCH MORE!**



VISIT OUR SHOWROOMS

DANBURY, EAST WINDSOR, FAIRFIELD, NEW HAVEN, STAMFORD, AND WATERBURY

www.TorrcoDesignCenter.com - Decorative Plumbing, Vanities, Lighting and Cabinet & Door Hardware

