



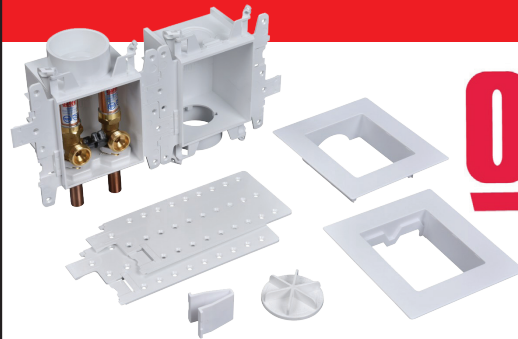
reSource

Your source for all things plumbing, heating piping and HVAC



Waterproof Shoe Covers

- Bigger & better design specifically for service industry professionals
- Prevents Tracking Wet Mud and Messes in Client's Homes
- Stronger than other shoe covers on the market
- Fits Up to a size 18 work boot
- Waterproof, plastic material



Moda Washing Machine Box

#1356213

- Universal Single Box Platform
- Stronger, Simpler Box Connections
- Layout Versatility
- Tool Free Test Plug
- AAV Box Adapter

Our 2019 Fall Heating Special is Now Available!
Talk to your salesperson today!

Granby 275 gal Vertical Oil Tank

- 12GA Steel UL-80 Gray
- \$525.00/ea**
- MUST buy two
- #45678



EWC Controls

NCM-300 EWC 2 or 3 Zone Control Panel for Forced Air Systems
\$126.18/ea #1259945

MRK EWC Motor Replacement Kit ND/URD/RDN
\$66.41/ea #1259713



NEW! Torrco Exclusive!



Wireless Connected Home & Hydronic Products



Special pricing valid 8/1/19 :: 8/31/19::



Supplies | Experts | Answers
Torrco.com | (800) 992-3682



TORRCO TRADE SHOW

Thursday, August 29th from 3:00-7:00PM

The Aqua Turf Club, Plantsville, CT



Register Today! Visit www.TorrcoPro.com

- One Day Specials!
- Entertainment!
- Product Displays!

- Show-only Promotions!
- Raffle Prizes & Giveaways!

- Food & Beverages!
- Lenox Car Cut!
- Photo Booth!