

007^e

Water Circulation Pumps & Circulators

007^e™ ECM High-Efficiency Circulator

Taco 007e is a high-efficiency wet rotor circulator with an ECM permanent magnet motor. The 007e is everything you love about the 007. It is ideal for hydronic systems zoned with circulators or zone valves. The 007e delivers the performance equivalent of the 007 plus the reliability and easy installation that made the 00[®] famous. **Install it, forget it.™**



- ECM performance equivalent to the legendary 007 circulator
- High-efficiency ECM motor uses up to 85% less electricity
- Ideal for hydronic systems zoned with circulators or zone valves
- BIO Barrier[®] protects pump from system contaminants
- **SureStart** automatically frees locked rotor condition and self-purges air from pump.
- Integral Flow Check (IFC[®]) included



Features & Applications

The 007e™ is ideal for hydronic baseboard systems.



- Dual electrical knockouts, 6" stranded wire leads included for easy wiring.
- Use with a Taco ZVC Zone Valve Control or SR Switching Relay for ON/OFF operation.
- 10' Shut-off head, 16 gpm max flow.
- Optional 2-way flange model reduces SKU's and provides universal fit-up to any flange position.
- Double insulated. No ground wire required.
- Whisper quiet operation.



Orange LED:

Indicates 007e is running normally.



SureStart LED:

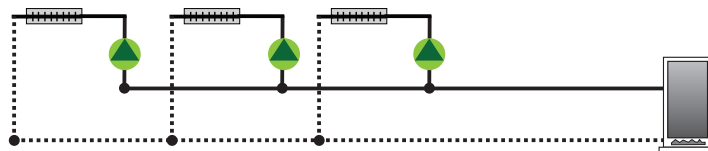
Indicates the innovative **SureStart** automatic unblocking and air purge is active.

Optional 2-way flange

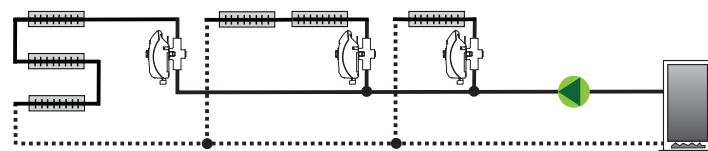


Typical Applications

For zoning with circulators

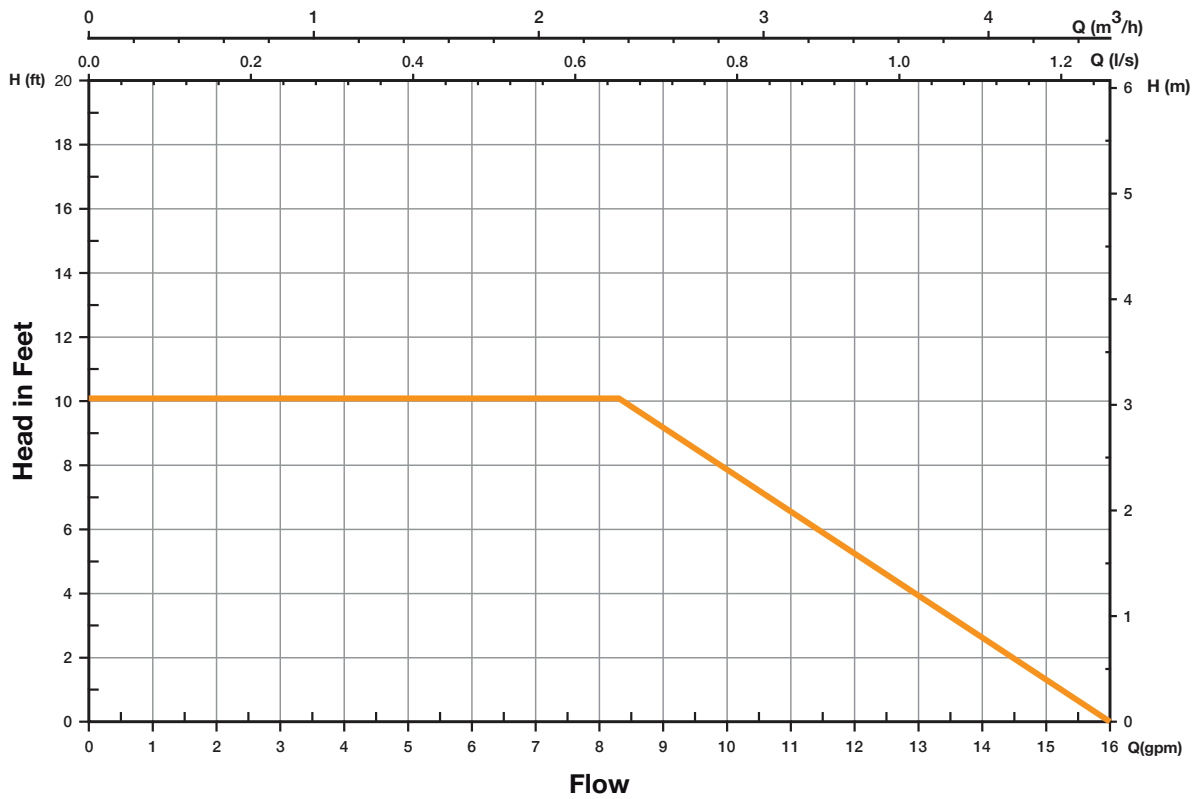


Across a series loop system using zone valves



Performance Curve

007e™ Performance Curve



The 007e performance is ideal for hydronic zoning to reduce velocity noise or banging of zone valves closing against high head pressure circulators.

Submittal Data Information Taco 007e™ ECM Circulator

Submittal Data # 101-177

Effective: 03/30/16

Supersedes: New

Specifications

- Max. Shut-off Head: 10 feet
- Max. Flow: 16 gpm
- Max. Operating Pressure: 125 psi (8.6 bar)
- Max. Water Temp: 230°F (110°C)
- Min. Water Temp: 36°F (2°C)
- Electrical specifications:
 - Voltage: 120V, 60 Hz
 - Single phase
 - Max. Operating Power: 44W
 - Max. AMP Rating: 0.54
- Equipped with a cast iron casing and should be used for closed loop systems only
- Taco circulator pumps are for indoor use only
- Acceptable for use with water or maximum of 50% water/glycol solution

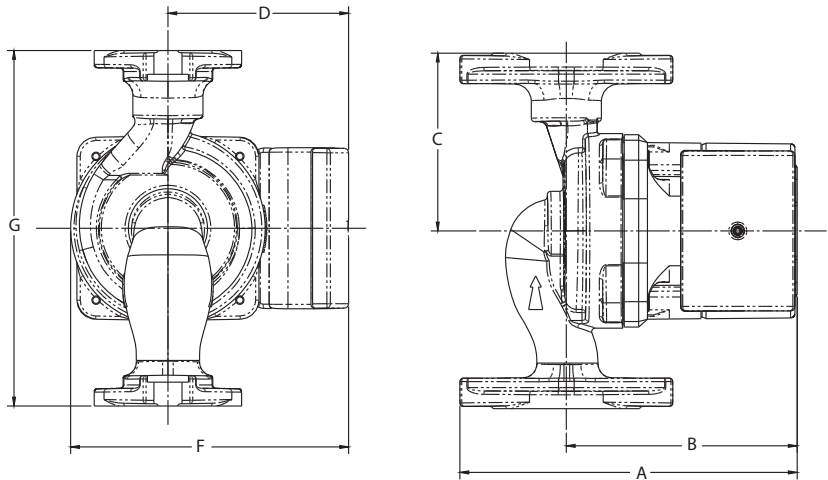
Materials of Construction:

Casing:Cast Iron
 Stator Housing:Composite
 Cartridge:.....Composite
 Impeller:.....Composite
 Shaft:.....Ceramic
 Bearings:.....Carbon
 Thrust Bearing:.....Ceramic
 O-Ring & Gaskets:.....EPDM



Applications

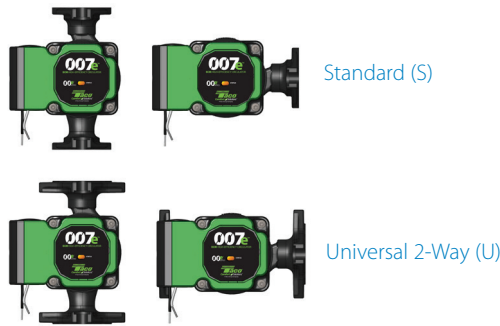
The 007e is a high-efficiency wet rotor circulator with an ECM permanent magnet motor. Its ECM performance is equivalent to the legendary 007 circulator and is ideal for hydronic systems zoned with circulators or zone valves.



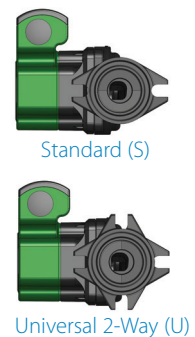
Pump Dimensions & Weights

Model	Flange Type	A		B		C		D		F		G		Ship Wt.	
		in.	mm	in.	mm	in.	mm	in.	mm	in.	mm	in.	mm	lbs.	Kg
007e-F2	S	6	152	4-1/8	104	3-3/16	80	3-1/4	82	5	126	6-3/8	161	5.8	2.6
007e-F4	U	6	152	4-1/8	104	3-3/16	80	3-1/4	82	5-1/8	130	6-3/8	161	6	2.7

Mounting Positions



Flange Type



Electrical Data

Model	Volts	Hz	Ph	Max.Amps	Max. Watts	RPM
Both Models	120	60	1	.54	44	4830
Motor Type	ECM, Permanent Magnet, Thermally Protected					

